



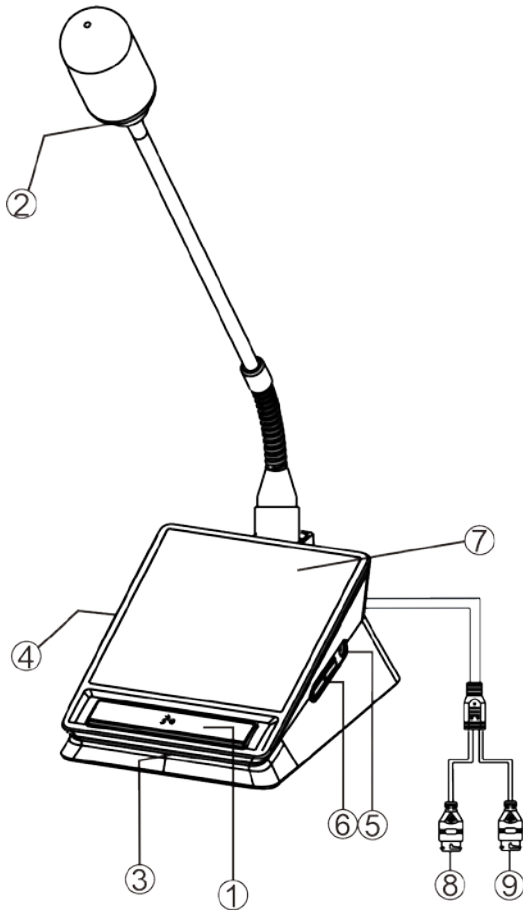
Prestel NCS-TU1D

IP Network Wired
Gooseneck Delegate Unit



USER MANUAL

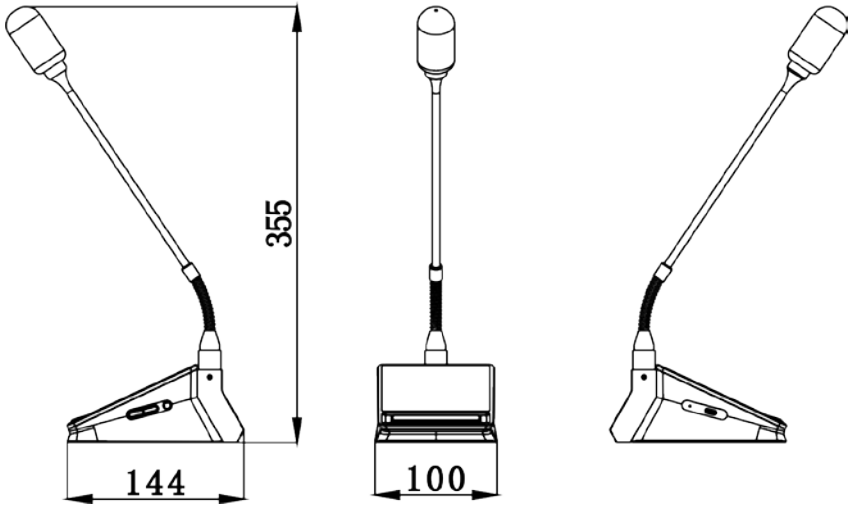
Interface Description



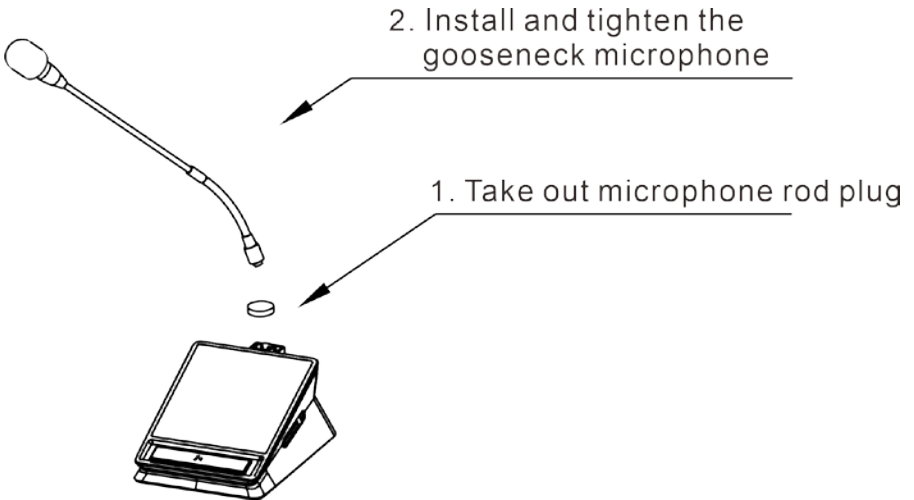
- ① Speak button: The light is on when no speak, and the light is off when the speak button is pressed.
- ② Microphone pole status light: The light is solid on during speaking process.
- ③ Speak status light: The light is solid on during speaking process.
- ④ Type-C interface: For firmware flashing via cable.
- ⑤ 3.5 audio interface
- ⑥ Volume button+, -
- ⑦ Touch screen
- ⑧ White network port: connect to any port of central unit A1-B4.

⑨ Black network port connect to any port of central unit A1-B4.

Product Dimension Diagram (unit :mm)



Installation Diagram



Specifications, Functional Components and Parameters

Power Supply	DC24V input, centralized power supply by host
Power Consumption	≤3.5W
Screen	4.3-inch capacitive touch screen
Screen Resolution	480*480 (RGB)
Headphone Output Interface	∅ 3.5mm stereo jack
Storage	Built-in SPI FLASH
Connection Method	2×RJ45 ports, wired daisy chain
Connection Cable	Cat 6A network cable
Pickup Microphone Capsule	1×14mm-diameter gold-plated capacitive microphone capsules
Polar Pattern	Supercardioid
Microphone Frequency Response	20-20K Hz
Microphone Sensitivity	-41dB±2dB (0db=1V/Pa at 1KHz)
Microphone Maximum SPL	120dB SPL, 1KHz at 1%T.H.D
Operating Temperature & Humidity	0-45°C ≤90%RH(non-condensing)
Dimensions	144*100mm(L×W)
Casing Material	ABS/Aluminum Alloy

Packing List

Microphone Pole
1pcs(Optional)



Windshield
1pcs(Optional)



Network cable
1pcs (1m)



Installation
manual 1pcs



Certification
1pcs